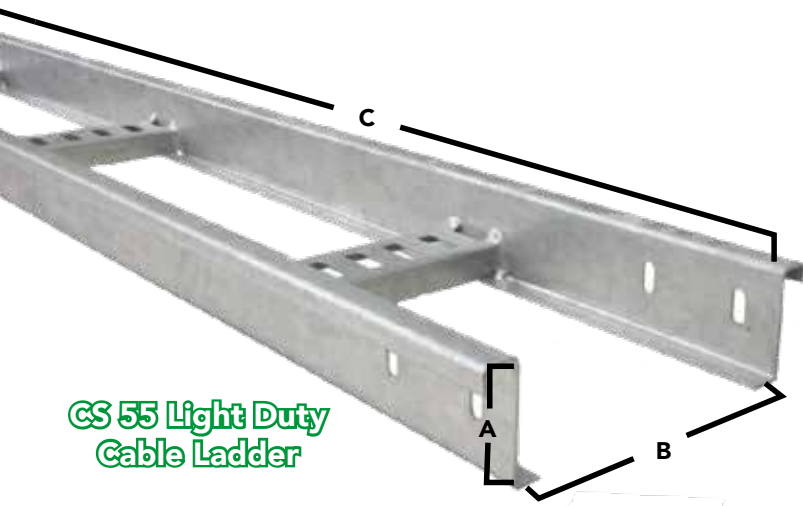


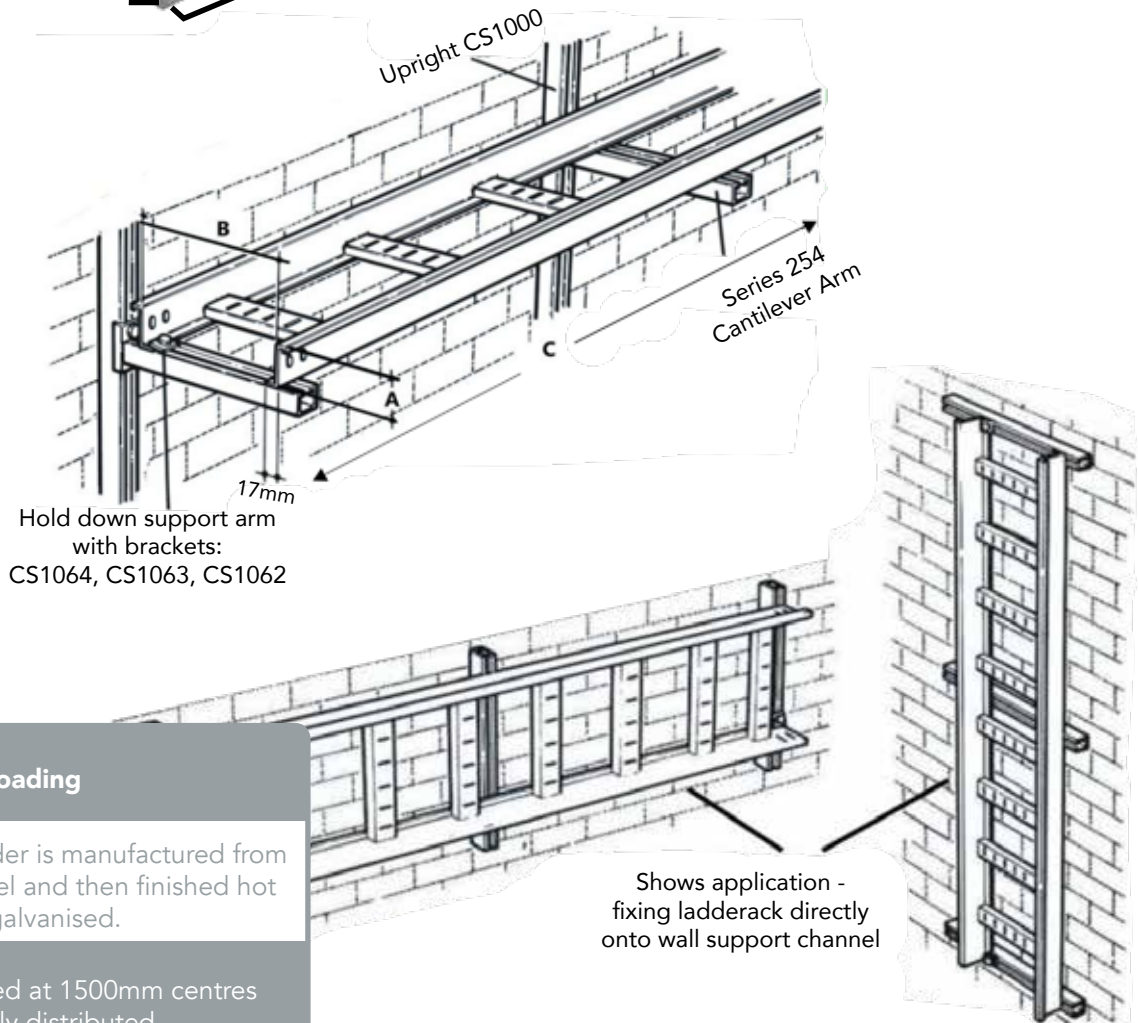
cable ladders

CL55 - light duty



CS 55 Light Duty Cable Ladder

Application of Wall Support Channel and Cantilever Arm	
A	55mm
B	100, 150, 200, 300, 400, 500mm
C	3000mm



Hold down support arm with brackets: CS1064, CS1063, CS1062

Shows application - fixing ladderack directly onto wall support channel

Loading

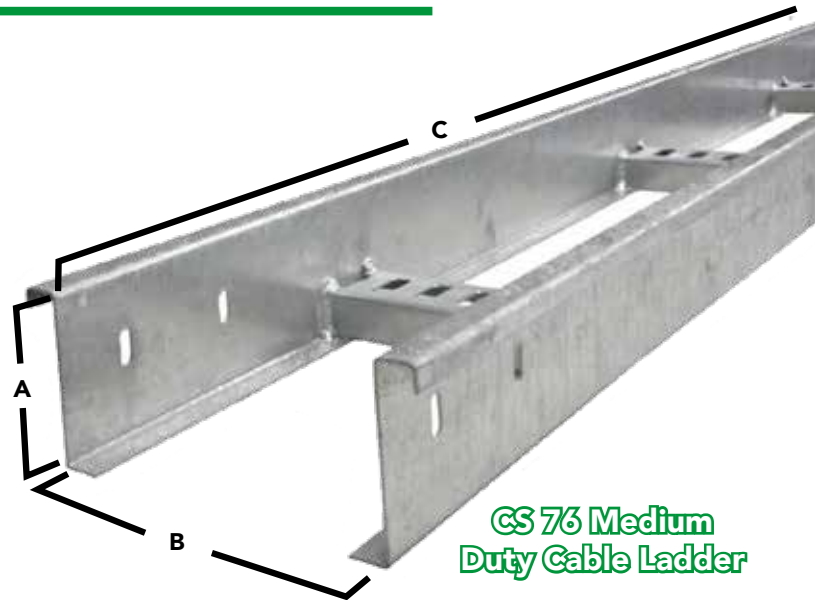
Ex stock cable ladder is manufactured from 1.6mm gauge steel and then finished hot dip galvanised.

120kgs supported at 1500mm centres uniformly distributed

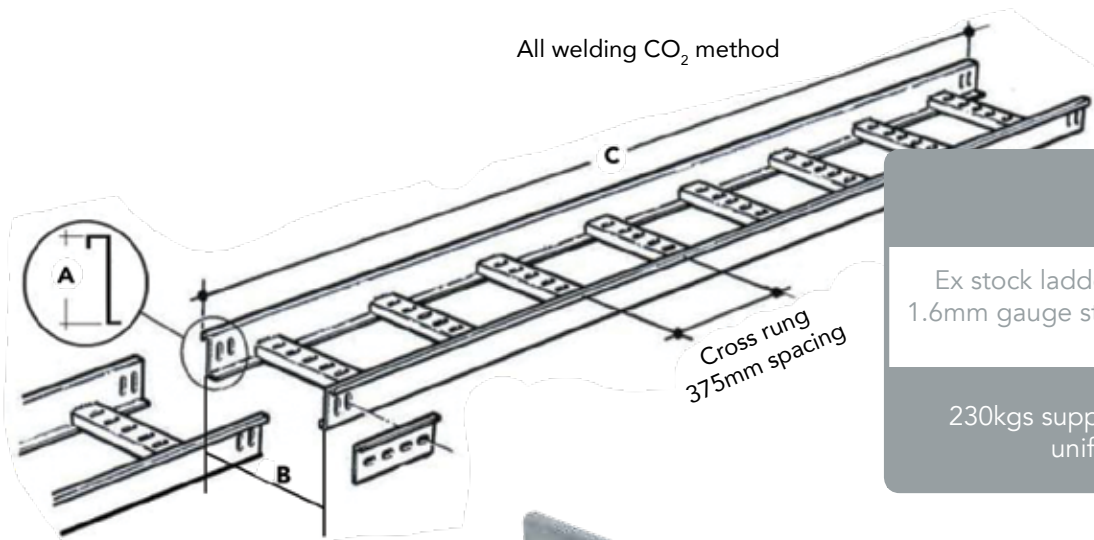
cable ladders

CL76 - medium duty

A	76mm
B	100, 150, 200, 300, 400, 500, 600, 800, 1000mm
C	3000mm



All welding CO₂ method



Loading

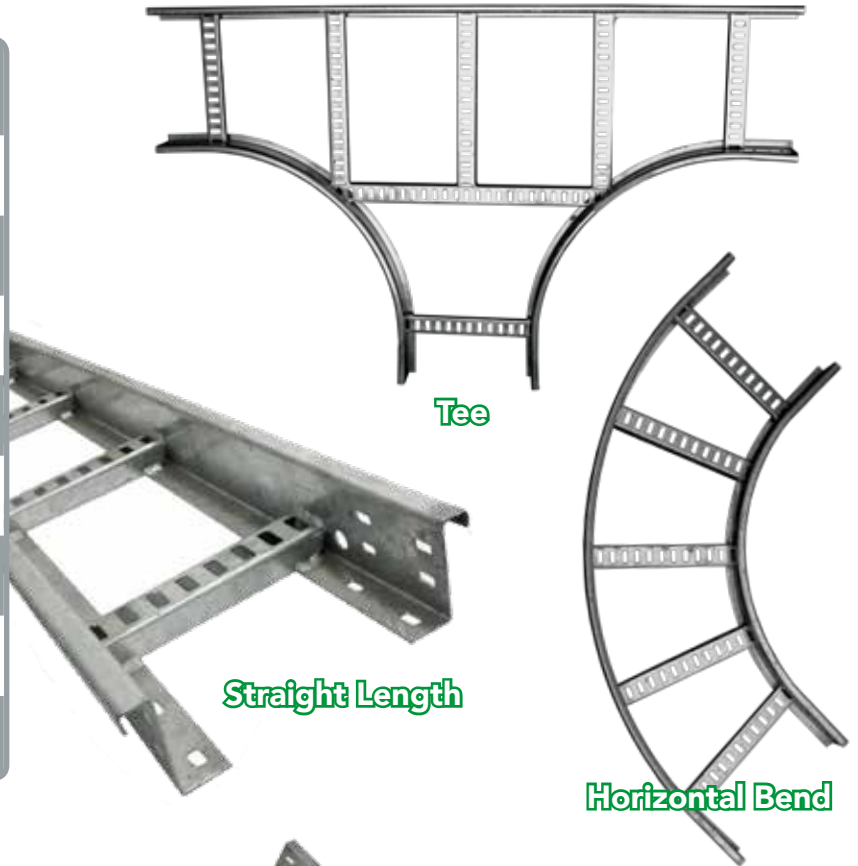
Ex stock ladderack is manufactured from 1.6mm gauge steel and then finished hot dip galvanised.

230kgs supported at 1500mm centres uniformly distributed



strong span

Product	Width	Mass Kg/3m
CSS 75	150mm	15.1
CSS 75	200mm	15.7
CSS 75	300mm	17.1
CSS 75	400mm	18.4
CSS 75	500mm	19.7
CSS 75	600mm	21.1
CSS 75	800mm	23.7
CSS 75	1000mm	26.4

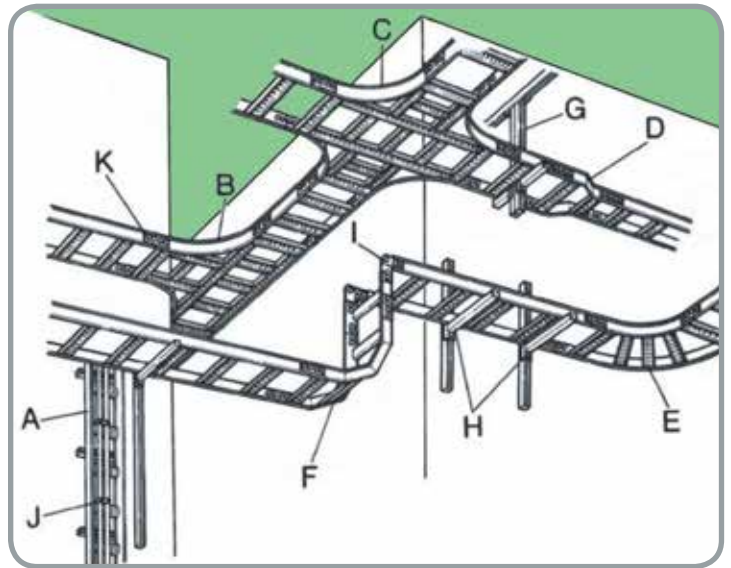


Rung Spacing	300mm
Standard Length	3 metres
Slot size	25 x 7mm
Cross Rung	2mm
Material	Side Rail 2mm (3mm Side Rail to order)

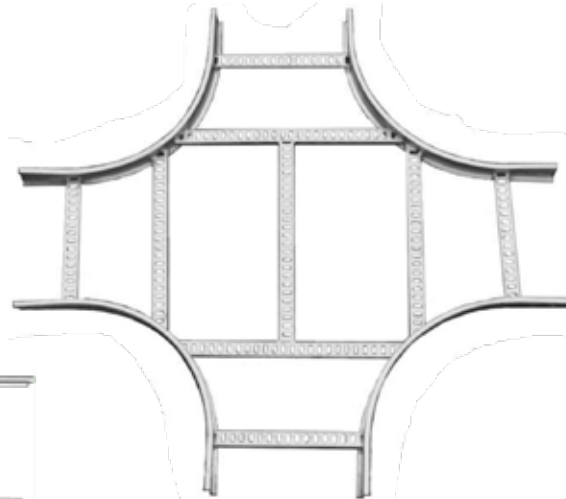
Also available in 100mm & 150mm side rail on request

cable ladder accessories

A	Ladderack
B	Tee
C	4-Way Crossover
D	Equal Reducer
E	Horizontal Elbow 90°
F	Internal Riser
G	Double Cantilever Arm
H	Single Cantilever Arm
I	Adjustable Splice
J	Clamp or Strapping
K	Splice



Tee



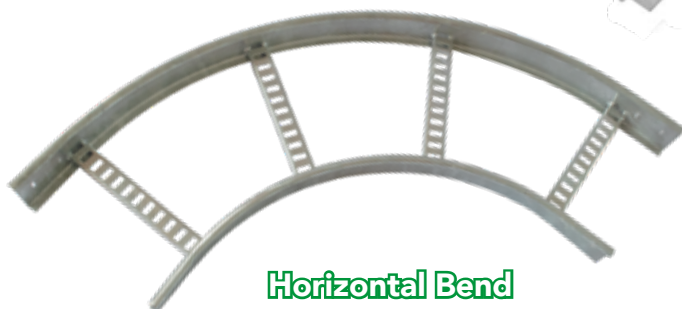
4-Way Crossover



Internal Bend



External Bend



Horizontal Bend



Adjustable Splice



Reduction Splice